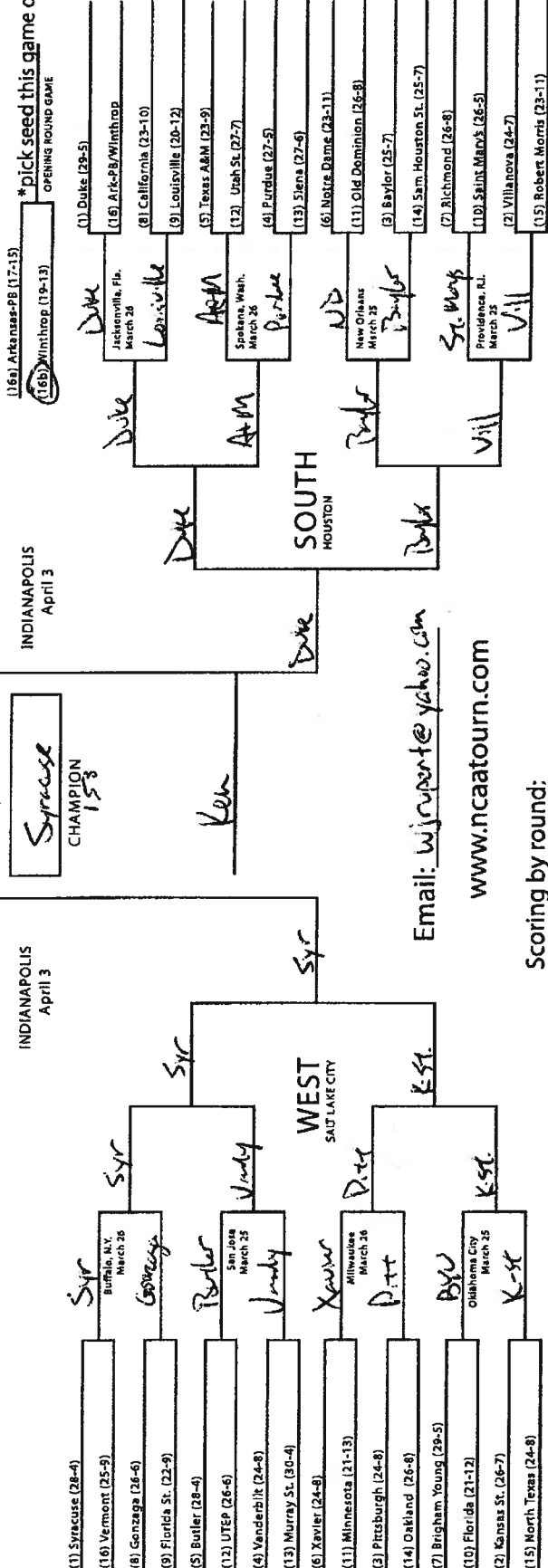
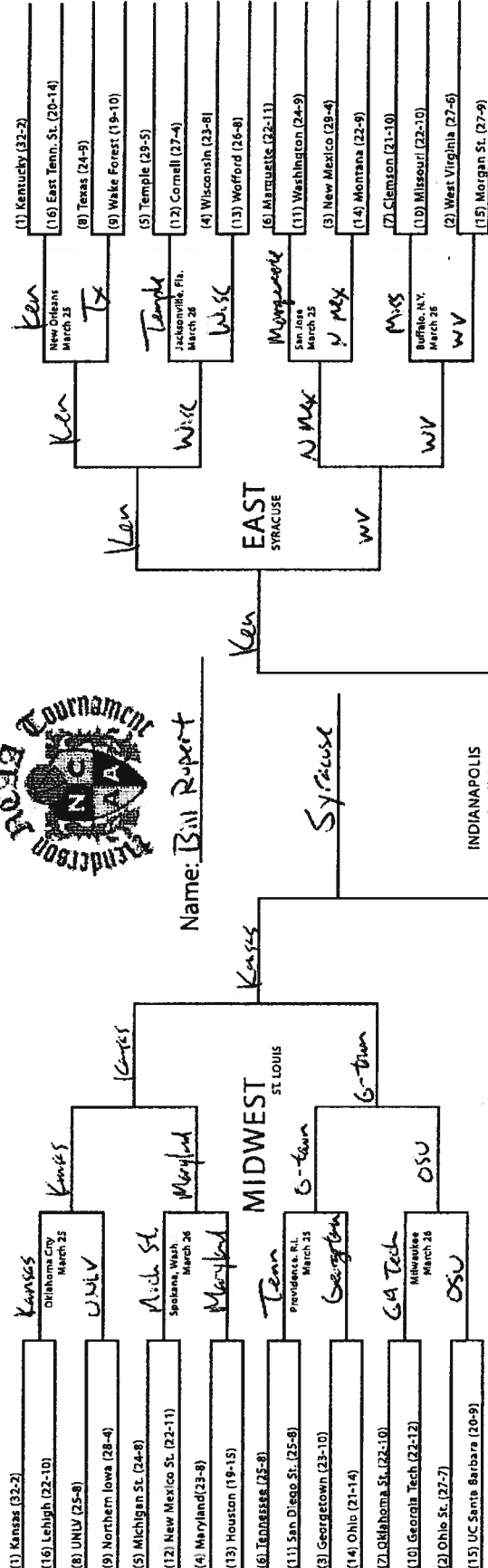


First Round March 18-19	Second Round March 20-21	Sweet 16 March 25-26	Elite Eight March 27-28	Final Four April 3	NATIONAL CHAMPIONSHIP	Final Four April 3	Elite Eight March 27-28	Sweet 16 March 25-26	Second Round March 20-21	First Round March 18-19
----------------------------	-----------------------------	-------------------------	----------------------------	-----------------------	-----------------------	-----------------------	----------------------------	-------------------------	-----------------------------	----------------------------



Name: Bill Robert



*pick seed this game only
 OPENING ROUND GAME

Email: wjrupente@yahoo.com
www.ncaatourn.com

Scoring by round:
 1,2,3,4,5 and 7 (championship)
 1 bonus point each correct 9-16 pick

Regional Sites:
 Houston, TX; Salt Lake City, UT; St. Louis, MO; Syracuse, NY

Email: help@ncaatourn.com Due: Thursday 12:00 Noon 3/18/10